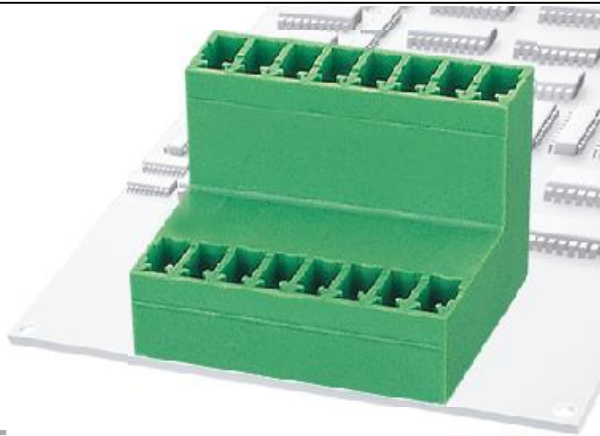


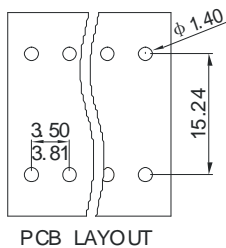
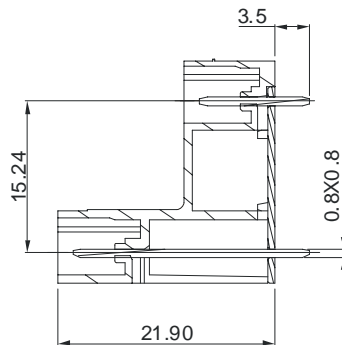
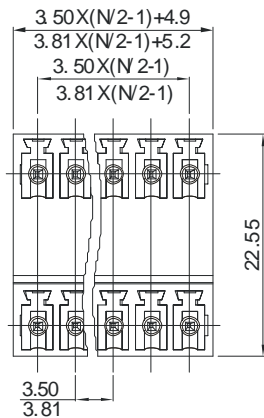


# DEGSON ELECTRONICS CO., LTD.

## Product Specification

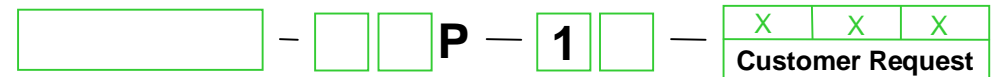


**15EDGVT-3.5**  
**15EDGVT-3.81**



<b>APPROVAL</b>		
<b>Electrical</b>		
Standard	<b>UL</b>	<b>IEC</b>
Rated voltage	300V	250V
Rated current	8A	7A
Rated impulse voltage	2.5KV	
<b>Mechanical</b>		
Ambient temperature	-40°C ~ +105 °C	
<b>Dimensions</b>		
Pitch	3.5mm(.138" ) 3.81mm(.150" )	
Poles	2*(2P-24P)	
<b>Material</b>		
Housing	PA66,UL94 V-0	
Pin heater	Brass,Tin-plated	

### HOW TO ORDER :



Series number

No. of pole

1	Single pitch
2	Double pitch

#### Color

1	Grey	4	Green	7	Trans Parent
2	Blue	5	Orange	8	Yellow
3	Black	6	Red	9	White

 mm (INCH)	<b>DEGSON ELECTRONICS CO., LTD.</b>
 THROANGLE PROJECTION	<b>NAME</b> <b>15EDGVT-3.5, 15EDGVT-3.81</b>